

CC ENTERPRISES - TRAFFIC CONTROL SPECIALISTS, INC

Contractor: KW ROBINSON

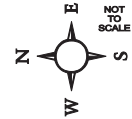
MHT #5

Project: MIDWAY UT: RIVER ROAD PROJECT

Method of Handling Traffic: ROAD CLOSURE WITH DETOUR

PREPARED BY:

ON TWO LANE ROAD AT OR NEAR AN INTERSECTION



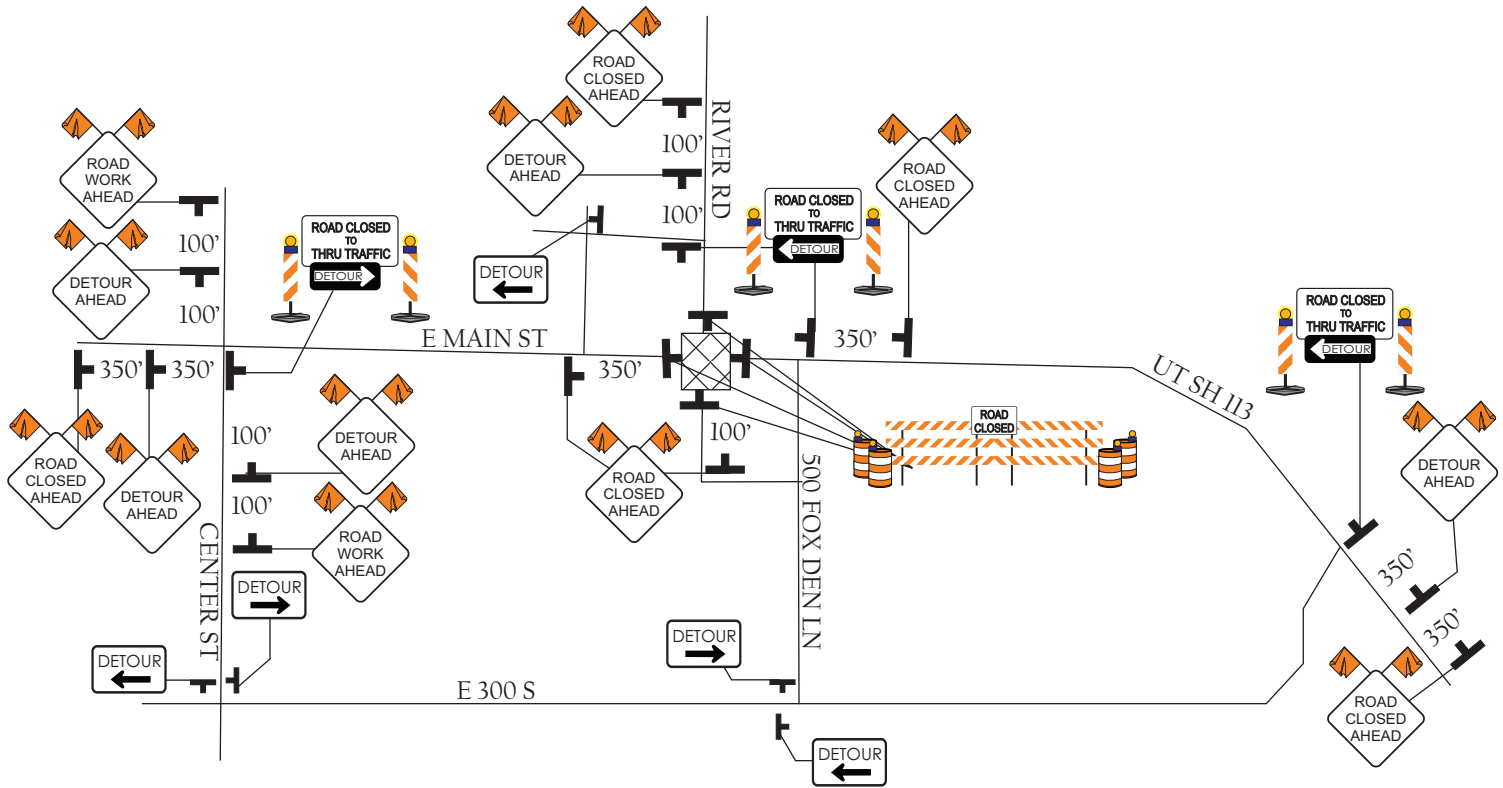
*Ashley E. Lee* 06/22/21

ATSSA TCS NAME DATE  
 PHONE: 970-242-0669  
 CERTIFICATION # 245585  
 ISSUE DATE: 06/16/2017  
 EXPIRATION DATE: 06/01/2021



MHT#5- TC 3B HAZARD MITIGATION & POSITIVE PROTECTION DEVICES POINTS:	
FACTOR 1:	
FACTOR 2:	
FACTOR 3:	
FACTOR 4:	
<b>TOTAL POINTS MHT#5:</b>	

RECERTIFIED 5/17  
 PENDING CERTIFICATION



NOTES:

1. REFER TO UTAH STD DWG. NO.'s TC 1, 2A, 2B, 3A & 3B FOR TYPICAL APPLICATIONS. CONTRACTOR WILL NEED A ROAD CLOSURE ON A TWO LANE ROAD AT OR NEAR AN INTERSECTION DURING ALLOWABLE WORKING HOURS ONLY UNTIL COMPLETION OF PROJECT PHASE.
2. CONTRACTOR SHALL MAINTAIN ACCESS TO RESIDENTS & BUSINESS' THROUGHOUT DURATION OF PROJECT.
3. AT NIGHT, HAZARDS WITHIN THE CLEAR ZONE WILL BE BARRICADED WITH DRUMS AND FLASHING LIGHTS.

SIGNS AND DEVICES

- 6 - ROAD CLOSED AHEAD
  - 2 - ROAD WORK AHEAD
  - 5 - DETOUR AHEAD
  - 4 - ROAD CLOSED TO THRU TRAFFIC
  - 4 - ROAD CLOSED
  - 4 - DETOUR ARROW (1R.3L)
  - 5 - DETOUR MARKER (2R.3L)
  - 8 - TYPE III BARRICADES
- DRUMS / LIGHTS/ FLAGS